

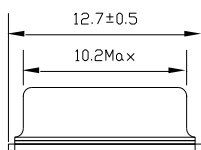
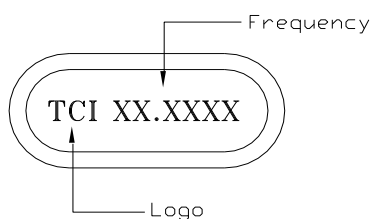


- Feature**
- ⊙ High frequency stability over temperature range.
 - ⊙ Excellent frequency aging stability.
 - ⊙ High shock resistance.
 - ⊙ Excellent frequency-temperature characteristics with smooth continuity.

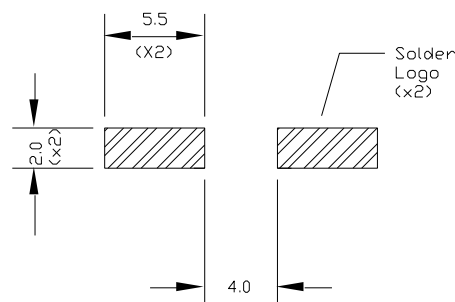
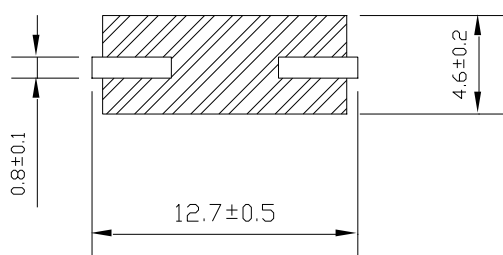
Specifications

ITEM	TYPE	tci 49/USM (12.7mm*4.7mm)		
Frequency rang (MHz)		3~10	10~40	40~75
Equivalent series resistance		150Ω Max.	40Ω Max.	80Ω Max.
Mode of vibration		Fundamental		3 rd Overtone
Frequency tolerance (at 25°C)		±10ppm ~ ± 30ppm , or specify		
Frequency stability(Temp.)		±10ppm ~ ± 30ppm , or specify		
Operating temp. range		-20~+70°C , -40~+85°C , or specify		
Storage temp. range		-55~+125°C		
Load capacitance (pF)		8pF~32pF, or specify		
Drive level(uW)		100uW Typ ,or specify		
Aging (at 25°C)		± 3ppm (Year)		

Marking and dimensions (mm)



	H
4EE1	3.9±0.3
4EF1	2.9±0.3
4EP1	2.5±0.3



Packing Unit:1000pcs/Reel