

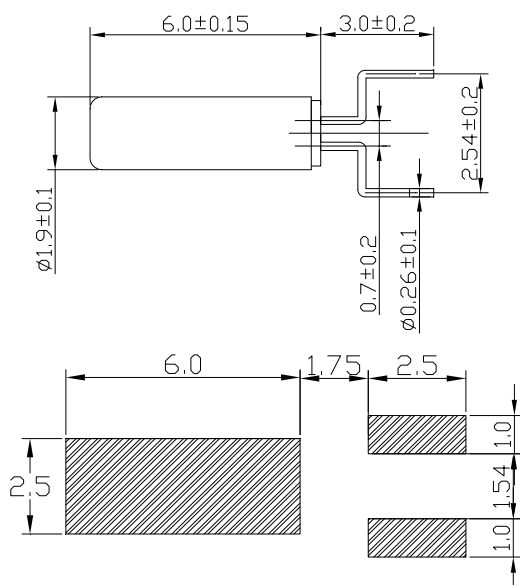


- Feature**
- ⊙ High stability
 - ⊙ High vibration and shock resistance.
 - ⊙ Low cost.
 - ⊙ Automatic and perfect packing
Due to emboss taping.

Specifications

ITEM	TYPE	tci TF26S
Frequency (KHz)		32.768, or specify
Equivalent series resistance		30-100KΩ
Frequency tolerance		±15ppm ~ ± 100ppm
Operating temp. range		-10~+60°C , -20~+70°C , or specify
Load capacitance (pF)		12.5pF, or specify
Drive level		1 μW
Shunt capacitance		<1.8pF

Marking and dimensions (mm)



PATTERN LAYOUT