

- Feature**
- ⊙ Ultrathin thickness 1.1mm.
 - ⊙ It is a completely sealed type with a metal lid sealed on a ceramic package.
 - ⊙ High electromagnetic susceptibility.
 - ⊙ High resolution frequency tolerance is obtained.
 - ⊙ Reflow soldering.
 - ⊙ Automatic and perfect packing due to emboss taping.

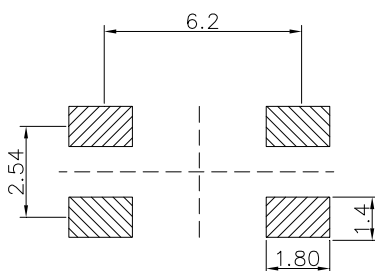
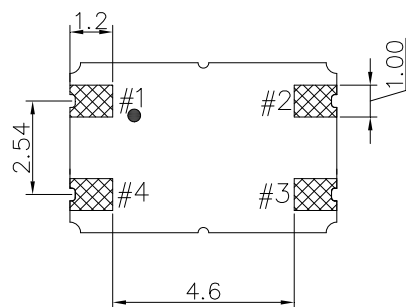
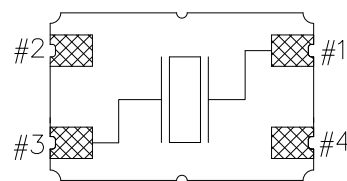
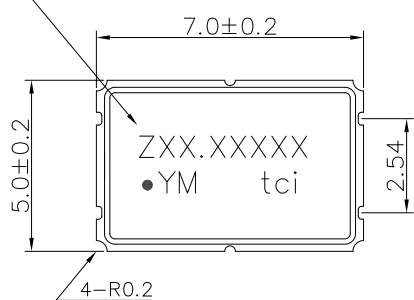
Specifications

ITEM	TYPE	tci S75B (7.0mm*5.0mm)		
Frequency rang (MHz)		6~8	8~48	48~125
Equivalent series resistance		100Ω Max.	80Ω Max.	80Ω Max.
Mode of vibration		Fundamental		3 rd Overtone
Frequency tolerance (at 25°C)		±10ppm ~ ± 30ppm , or specify		
Frequency stability(Temp.)		±10ppm ~ ± 30ppm , or specify		
Operating temp. range		-20~+70°C , -40~+85°C , -40~+105°C or specify		
Storage temp. range		-55~+125°C		
Load capacitance (pF)		8pF~32pF, or specify		
Drive level(uW)		10uW(300 uW Max)		
Aging (at 25°C)		± 3ppm (Year)		

Marking and dimensions (mm)

Frequency
(頻率不足位時，以ZZ表示)

(TOP VIEW)



(Soldering Pattern)

Pin Connections	
#1	Crystal
#2	GND/Lid
#3	Crystal
#4	GND/Lid

(BOTTOM VIEW)

Packing Unit:1000pcs/Reel