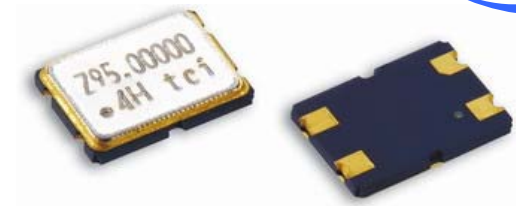


# Crystal tci S75B



- Feature**
- ⊙ Ultrathin thickness 1.1mm.
  - ⊙ It is a completely sealed type with a metal lid sealed on a ceramic package.
  - ⊙ High electromagnetic susceptibility.
  - ⊙ High resolution frequency tolerance is Obtained.
  - ⊙ Reflow soldering.
  - ⊙ Automatic and perfect packing due to emboss taping.

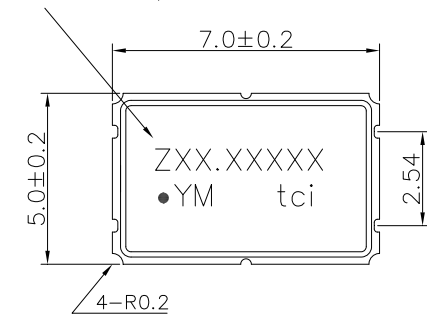


## Specifications

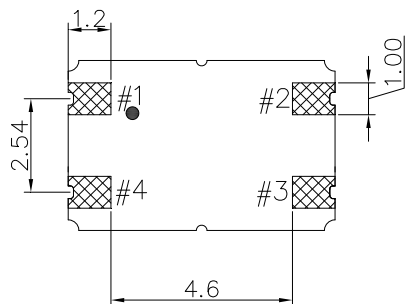
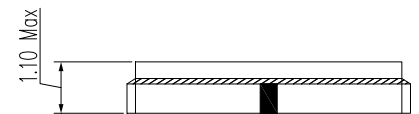
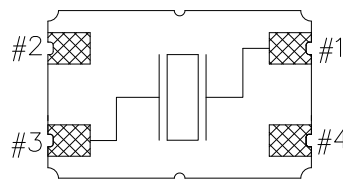
ITEM	TYPE	tci S75B (7.0mm*5.0mm)	
Frequency rang (MHz)		8~14	14~40
Equivalent series resistance		80Ω Max.	40Ω Max.
Mode of vibration		Fundamental	
Frequency tolerance (at 25°C)		±10ppm ~ ± 30ppm , or specify	
Frequency stability(Temp.)		±10ppm ~ ± 30ppm , or specify	
Operating temp. range		-10~+60°C , -20~+70°C , or specify	
Storage temp. range		-40~+85°C	
Load capacitance (pF)		Series , 8pF~32pF, or specify	
Drive level		100 μW Maximum	
Aging (at 25°C)		± 3ppm (Year)	

## Marking and dimensions (mm)

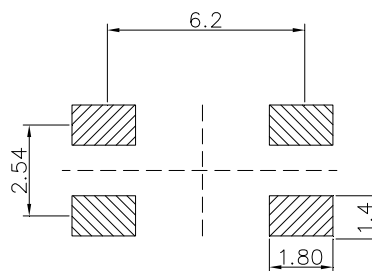
Frequency  
(頻率不足位時，以Z表示)



(TOP VIEW)



(BOTTOM VIEW)



(Soldering Pattern)