

Oscillator tci O22B



- Feature**
- ⊙ Automatic mounting with ultra miniature leadless package.
 - ⊙ Guaranteed operating range between 1.8V to 3.3V power supply voltage.
 - ⊙ Tri-state function.
 - ⊙ High electromagnetic susceptibility and high reliability is assured due to seam sealing.
 - ⊙ Excellent solderability.

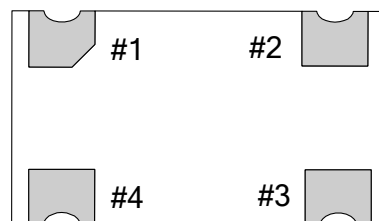
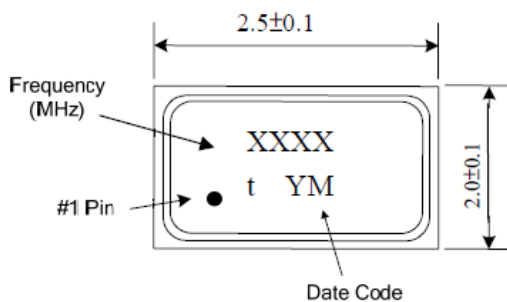


Specifications

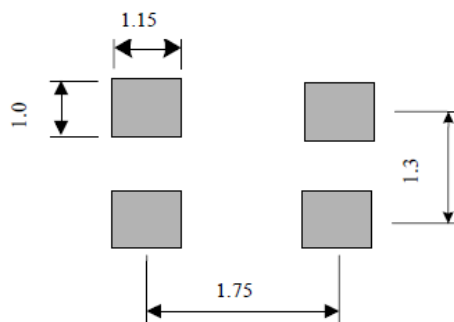
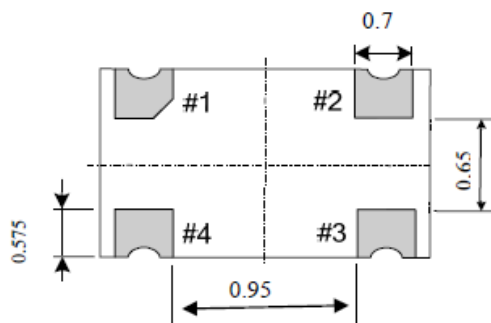
ITEM	TYPE	tci O22B (2.5mm*2.0mm)
Frequency rang (MHz)		1~50
Frequency stability(Temp.)		±25ppm, ±50ppm, ±100ppm, or specify
Power supply voltage (VDD)		1.8V , 2.5V , 3.3V (±10%V)
Operating temp. range		-20~+70°C , or specify
Storage temp. range		-55~+125°C
Output level		COMS
Output symmetry		40~60 (at 50% VDD)
Rise & Fall times		10ns Maximum
Output load Capacitance		15pF

Marking and dimensions (mm)

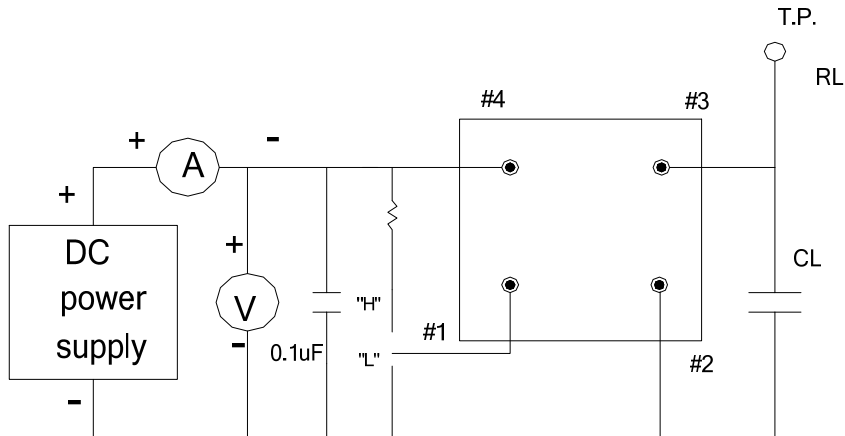
BOTTOM VIEW



- #1 □ NC or INH(Tri-State)
- #2 □ Vss(GND)
- #3 □ OUTPUT
- #4 □ VDD



Test circuit



CL:15pF(Including fixture and probe capacitances)

Output waveform

CMOS

